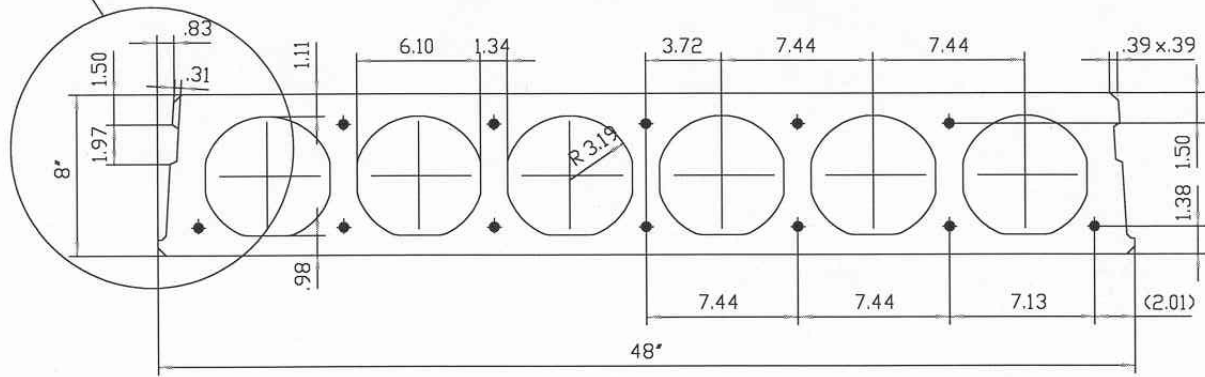




EDGE PROFILE MAY VARY ACCORDING TO CUSTOMER'S BEDS AND PREFERENCES



Area of Cross-Section 193.7 sq. inch.  
 Theoretical Weight of the Slab 50.4 lb / sq.ft(+ Strands)  
 Density 150 lb / cu.ft.

Scale 1:5	Material	Total weight kg					
		Material weight kg	Rev.	Times	Change	Date	Name
Measures mm	Surface texture Ra √(µm)	General tolerance ISO 2768-c	Drawn JANNE 05.01.1999	PCE PCE Engineering Oy Ab Box 33 SF-37801 TOIJALA		Dwg No. P337138	
			Check.			5113200	
			Appr.				
Belongs to		Part	pcs	Job No.	Description ESIJÄNNITETTY ONTELOLAATTA 6/8" M PRE STRESSED HOLLOW CORE SLAB 6/8" M		